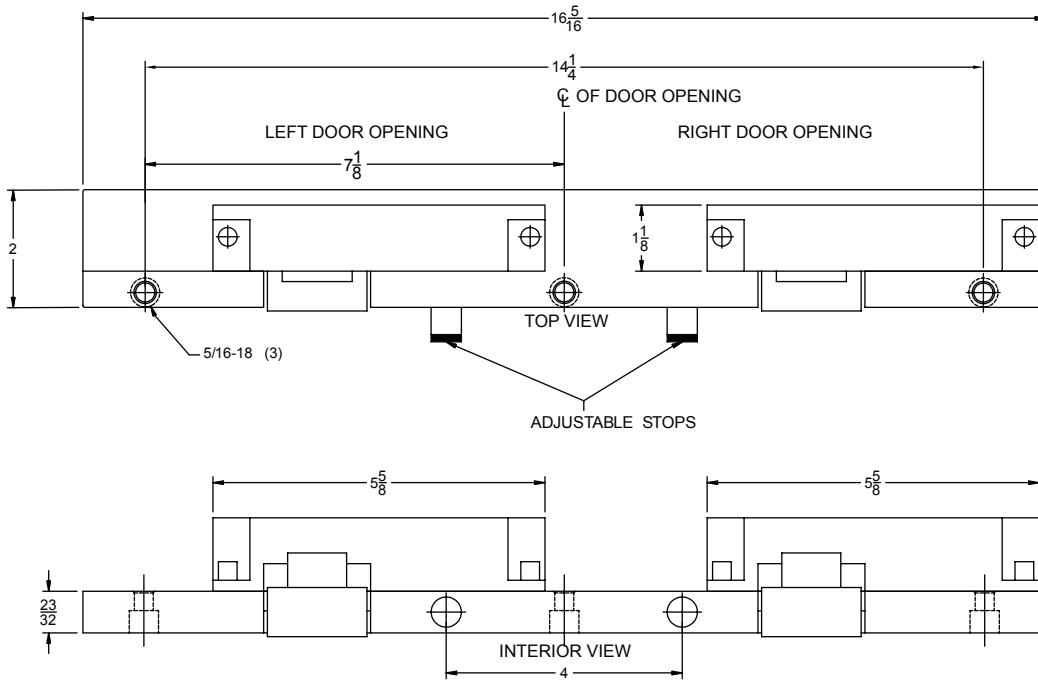
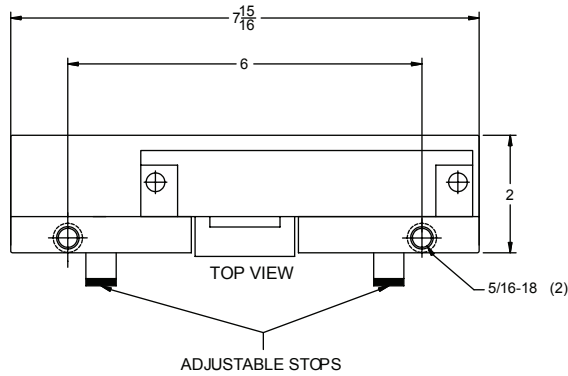


PL100 PANIC ELECTRIC STRIKES

DOUBLE DOOR



SINGLE DOOR



SPECIFICATIONS:

-Material
6063-t5 Aluminum alloy

-Finish Available
 Clad in
 #8 polished stainless steel
 #4 brushed stainless steel
 Polished brass
 Satin brass

-Function available
 Fail safe*
 Non fail safe**

FA3101	Non Fail safe single
FA3101D	Non Fail safe double
FA3101FS	Fail safe single
FA3101DFS	Fail safe double

*If power supply is interrupted the electric strike latch will release allowing egress

**If power supply is interrupted the electric strike latch will remain in the locked position

